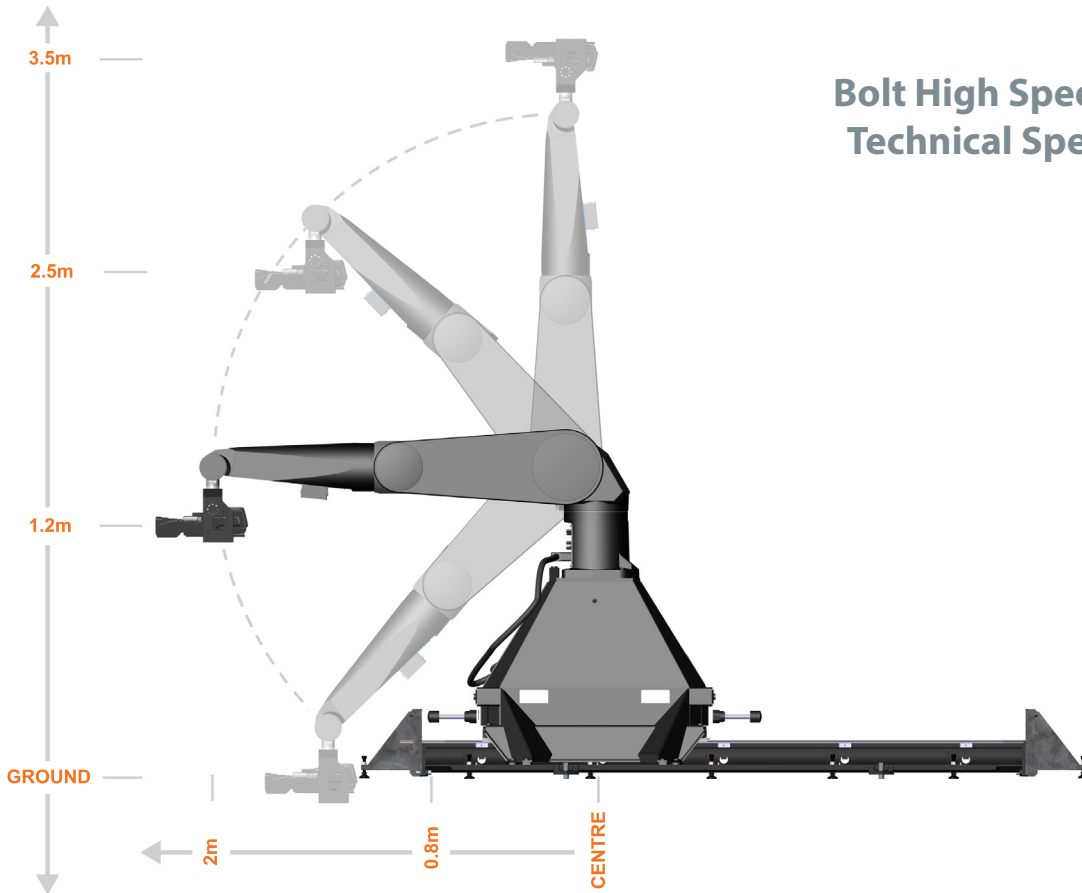


Bolt High Speed Cinebot Technical Specifications



Operating Envelope	
Maximum Height (with level head)	2.45m
Lowest position	.0m
Maximum reach (from rotate centre)	2m

Rig Dimensions (for clearances)	
Height	1.8m
Base width (with wheel limits)	1.4m

Rig Performance		
Axis	Range of Travel	Maximum Speeds
Track	Unlimited	4 metres per second
Rotate	+/- 160 degrees	240 degrees per second
Lift	+/- 137 degrees	238 degrees per second
Arm	+/- 150 degrees	313 degrees per second
Pan	+/- 270 degrees	315 degrees per second
Tilt	+/- 120 degrees/-105 degrees	350 degrees per second
Roll	+/- 270 degrees	870 degrees per second

Rig Weights

	Kg	Lbs
Bolt rig	800	948
Flair console flight case	40	88
Maximum camera payload	28	61
Each 3m track	105	231

Rig Fixings

Because of the harsh acceleration and deceleration, the track sections of the rig must be bolted into a solid base or fixture. For studios, we drill four 15mm holes to a depth of 65mm for each length of track. Various counter weight systems can be used for location shooting.

Power Connection

Power requirements: 3x 400Volts, Frequency 50-60 Hz

Generator: 3000 VA-120 kA

Please note: Mr Moco Rentals reserves the right to change these specifications without notice.
Spec dimensions dependent on type and size of camera used on the rig.